

**HMNS | SELF-CONTAINED NUT SPLITTERS**

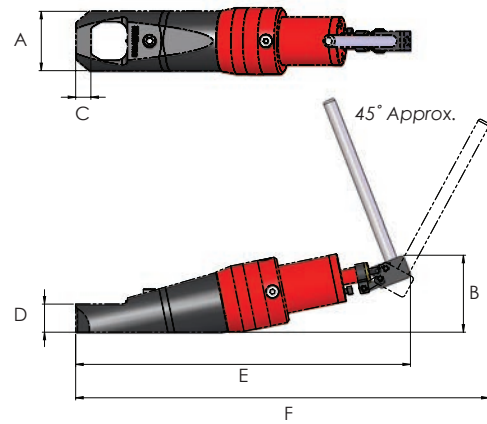


Nut AF sizes from 1 1/16" to 2"

Bolt sizes from 1/2" to 1 1/4"

Working pressure 10000 psi

- ▶ Single acting, spring assisted return
- ▶ Incorporates an integral hydraulic pump with multi-positional lever
- ▶ Angled body design for increased clearance on flanges and flat surfaces
- ▶ High quality steel construction
- ▶ Suitable for splitting nuts up to RC44 hardness
- ▶ Designed to fit on most API and ANSI flanges
- ▶ Offers ideal 'cold cut' solution for applications where 'hot work' permits are not allowed
- ▶ Steel linkage keeps blade cutting edge parallel to the nut throughout the splitting process
- ▶ Compact and easy to use



Model number	Capacity (tons)	Hexagon AF sizes		Stud bolt thread sizes		Weight (lbs)	Dimensions (in)					
		inch	mm	imperial	metric		A	B	C	D	E	F
HMNS104	18	1 1/16" - 1 1/4"	17 - 32	1/2" - 3/4"	M10 - M22	12.8	2.52	3.47	0.49	1.18	14.97	17.93
HMNS110	27.4	1 1/4" - 1 5/8"	32 - 41	3/4" - 1"	M22 - M27	17.4	3.07	3.98	0.79	1.46	17.34	21.28
HMNS200	45.4	1 5/8" - 2"	41 - 50	1" - 1 1/4"	M27 - M33	30.0	3.7	4.41	0.83	1.69	18.56	22.3

*Note: HMNS nut splitters are for use on heavy duty nuts, where the nut height is equal to or greater than two-thirds of the blade length of the tool being used. Please check dimension 'C' to confirm the tool will fit in the space between the edge of the nut and the neck of the flange.*

Replacement blades for HMNS nut splitters

Blade part number	For nut splitter
NS104-B	HMNS104
NS110-B	HMNS110
NS200-B	HMNS200